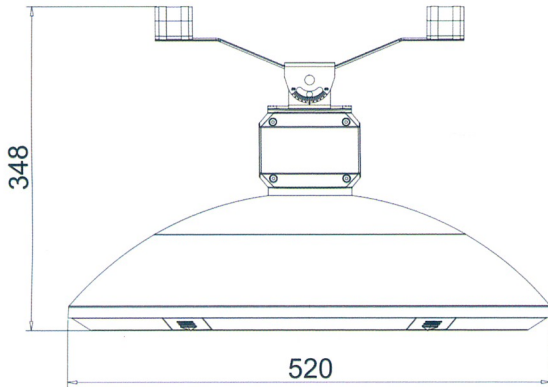


100W

INSTALLATION DIAGRAM:

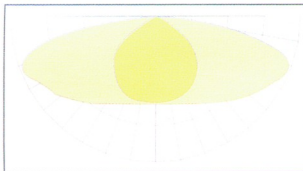


5-YEAR WARRANTY
*Suitable for 10-12 hours daily usage of the product for 24 hours a day would void warranty



	VT-105
POWER	100W
CCT	4000K
LUMENS	13000LM
PROTECTION	IP65 IK08
CRI(Ra)	80
VOLTAGE	AC175-305V
FREQUENCY	50Hz
BEAM ANGLE	TYPE II S
PF	>0.9
LIFE	30000H
SURGE PROTECTION GRADE	10KV
ANGLE ADJUSTMENT	±50°

Light distribution curve:



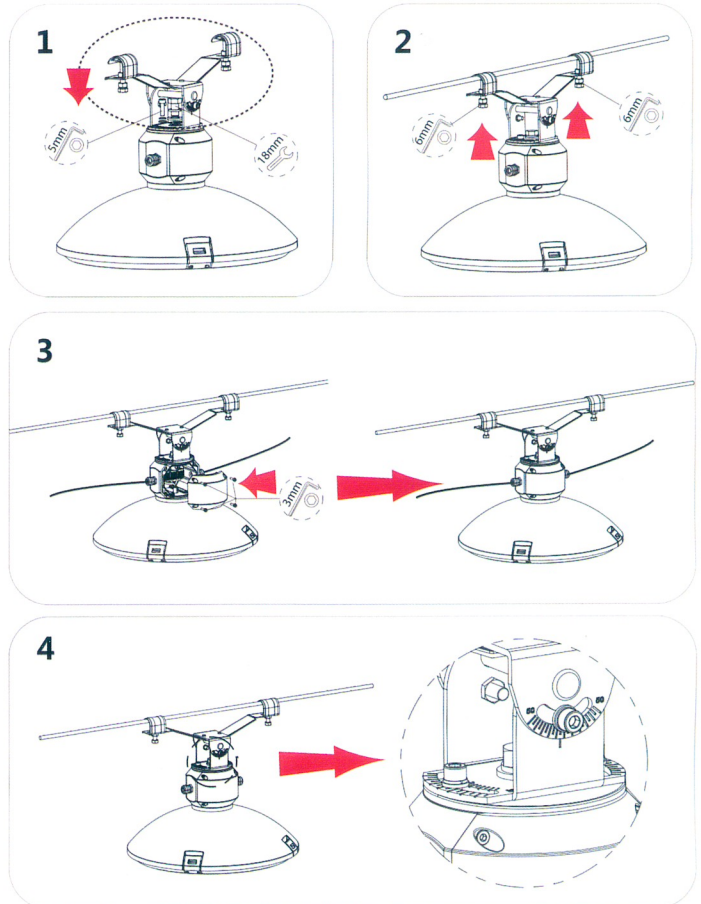
The light source of this luminaire is not replaceable, when the light source reaches its end of life the whole luminaire should be replaced by the manufacturer or his service agent or a qualified electrician.



Caution, risk of electric shock



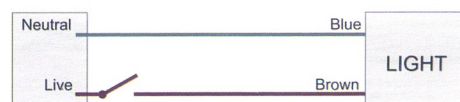
This marking indicates that this product should not be disposed with other household wastes throughout the EU.



1. Put the bracket part on the top terminal box, fasten the 2pcs M6 screws by 5mm allen wrench and 1pc M12 outer hexagon screw by 18mm outer hex wrench.
2. Hang up the street light on the rope, fasten the 2pcs M8 screws by 6mm allen wrench.
3. Loose the 4pcs M4 screws from the terminal box by 3mm allen wrench, connect the wire, fasten the cable gland on 2 sides, then close the terminal box.
4. Slide the screws to adjust light distribution angle (If necessary), ±50° adjustable.

WIRING DIAGRAM:

Class II Standard



1. Connect supply wires to luminaire wire leads per the wiring diagram using methods that comply with all applicable codes.
2. Turn power on.

